



Linear and angular shift meter IK-1-TK-2 is designed for measuring and conversion of selsyn transmitter signal. Complies with requirements of technical conditions TU U 33.2-32436145-002:2008 and listed in the State Register of Measurement Instruments of Ukraine under the number U2747.

Meter can replace old electromechanical devices based on selsyn-transmitter and selsyn-receiver pairs. In this case signals from selsyn-transmitter are processing by device.

- Measurement and conversion of selsyn transmitter signals.
- Rotation angle indication in deg.
- Rotation angle indication in custom scale units.
- 4 NO relay outputs for signaling.
- Provides supply voltage for selsyn.
- Continuous selsyn fault detection.
- Selsyn transmitter can be connected without the need of synchro receiver disconnection.
- Programmable DC-current output 0..5, 0..20 or 4..20 mA.
- Interface RS-485, protocol Modbus (RTU).
- Five-digit green LED display with 20 mm symbol height.

CONSIST

Linear and angular shift meter **IK-1-TK-2** consist of:

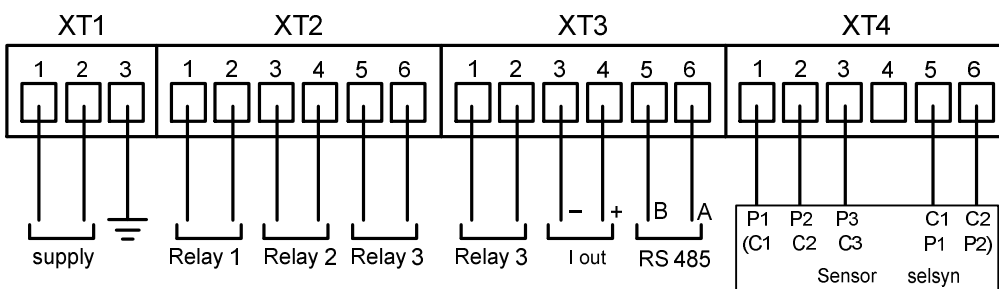
- digital measuring device IP-2-TK-XX, where
XX – selsyn supply type:
“VP” – external power supply;
no marking – built-in power supply.
- remote console for device setting up;
- selsyn transmitter (on demand).

SPECIFICATION

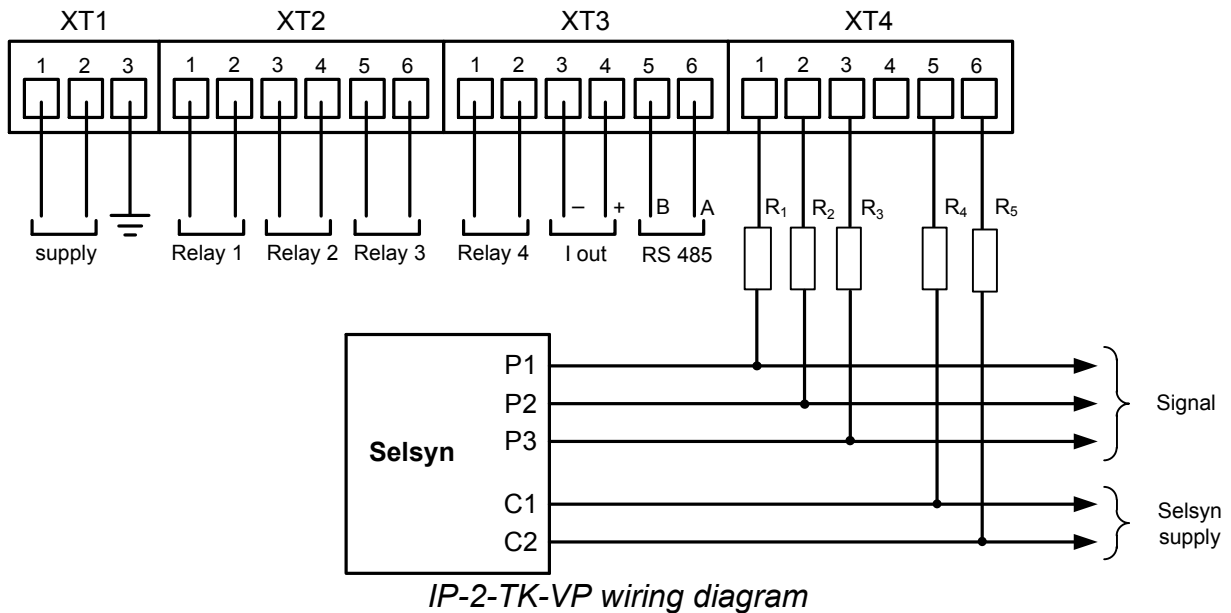
- Rotation angle range, deg 0..354
- Absolute measurement error (without sensor error), deg..... ±2,5
- DC-current output error, mA..... ±0,05
- Least significant digit value 0,1; 1

Selsyn power supply can be implemented by built-in AC voltage source with 7.5 V amplitude (**IP-2-TK** modification) or by external source (**IP-2-TK-VP** modification). When external source selsyn transmitter connection should be performed through extinguishing resistors (resistance depends on selsyn power supply).

WIRING DIAGRAM



IP-2-TK wiring diagram



ADDITIONAL INFORMATION

- Operating temperatures range +5°C..+50°C
- Protection type (IP code) IP41
- Relays count 4
- Current output load resistance, Ohm, up to:
 - for 0..5 mA range 2000
 - for 0..20 mA, 4..20 mA ranges..... 600
- Power supply 220⁺²²₋₃₃ В частотой (50±1) Гц
- Power consumption, VA, up to 10
- Overall dimensions (W×H×D), mm 144×74×120
- Mounting dimensions:
 - cutout size..... 137×68
 - mounting depth 140

ORDERING DESIGNATION

Linear and angular shift meter IK-1-TK-2.

Specify IP-2-TK model and selsyn type when ordering.

Example. Linear and angular shift (displacement) meter IK-1-TK-2 composed of:

- digital measuring device IP-2-TK;
- selsyn type БД-1404Б.