



Linear and angular shift meter IK-1-TK-5 is designed for mechanical measurements: rotor's axial shift and rotor's differential expansion (axial growth), other displacements, measured by the sensor with DC-current output.

Complies with requirements of technical conditions TU U 33.2-32436145-002:2008 and listed in the State Register of Measurement Instruments of Ukraine under the number U2747.

- Inductive sensors signals measuring.
- Single or dual sensors connection.
- Verification of measurement veracity by comparison of two connected sensors signals.
- Indication in mm or μm .
- 2 NO relay outputs for signaling.
- Relay operation under 'AND'/'OR' condition.
- Interference and powerfailure faults protection.
- Provides supply voltage for sensors.
- Individual sensor calibration capability.
- Programmable DC-current output 0..5, 0..20 or 4..20 mA.
- Interface RS-485, protocol Modbus (RTU).
- Five-digit green LED display with 20 mm symbol height.

CONSIST

Meter **IK-1-TK-5** consists of:

- digital measuring device IP-5-TK-XXX, где
 XXX – supply voltage:
 «24V» – (24 ± 4) VDC;
 no marking – 220 VAC, (50 ± 1) Hz;
- remote console for device setting up;
- displacement sensor (option);
- AC/DC converter 220VAC/24VDC (if 24VDC supply voltage variant is choosed).

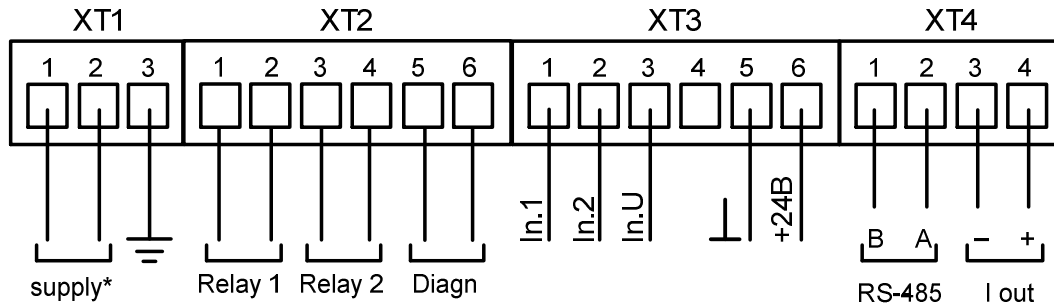
SPECIFICATION

- Measuring range, mm* 0.5..10
- Reduced measurement error, % ± 3
- DC-current output error, mA ± 0.05
- Least significant digit value 0.01 mm или 1 μm
- Sensors supply voltage (15..28) VDC

Eddy current displacement transducer manufactured by Vicont, contactless inductive gap sensor manufactured by TURCK or their analogs can be used as the sensor..

* - depends on sensor type

WIRING DIAGRAM



ADDITIONAL INFORMATION

- Operating temperature range +5°C ..+50°C
- Dust and moisture protection..... IP41
- 2 relays, able to switch 30 VDC / 5 A to 125 VDC / 0.3 A circuits with resistive or reactive ($\tau \leq 40$ ms) load and up to 270 VAC / 3 A ($\cos \varphi \geq 0.4$) circuits. 220 VDC / 0.15 A circuits allowed with relay endurance reduced to 10000 operations.
- Current output load resistance, Ohm, up to:
 - output signal 0..5 mA..... 2000
 - output signal 0..20 mA, 4..20 mA..... 600
- Supply voltage (depends on model) 220VAC 50Hz / 24VDC
- Power consumption, VA, up to 5
- Overall dimensions (W×H×D), mm 144×74×120
- Mounting dimensions, mm:
 - mounting cut (W×H), mm 137×68
 - mounting depth, mm..... 140

ORDERING DESIGNATION

Linear and angular shift meter **IK-1-TK-5**.

Specify digital measuring device IP-5-TK modification and displacement sensors models and count when ordering.