



Digital wattmeter VT-01-TK is designed for three-phase network without neutral parameters continuous measurement.

Wattmeter measures line voltages and currents on two phases, calculates active, reactive and total power, power factor and network frequency by two wattmeters method.

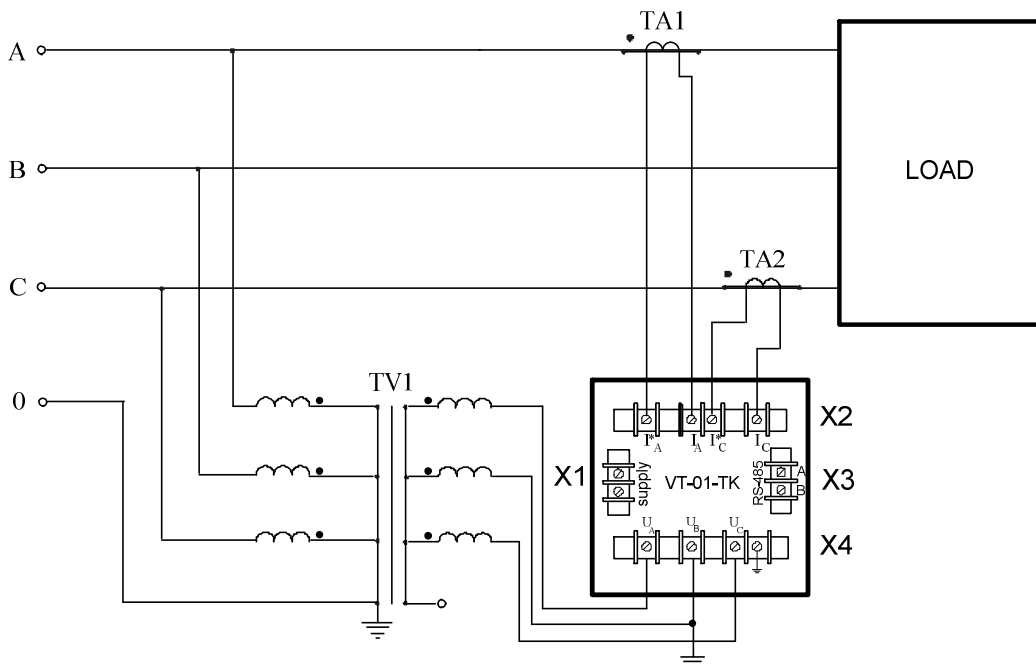
- Maximum values registration.
- Archiving data to SD-card (depends on modification).
- Measuring current and voltage transformers coefficients presetting.
- Measuring results displaying according to transformation coefficients.
- Interface RS-485, protocol Modbus RTU;
- 5-digits green indicator with 14-mm symbol.

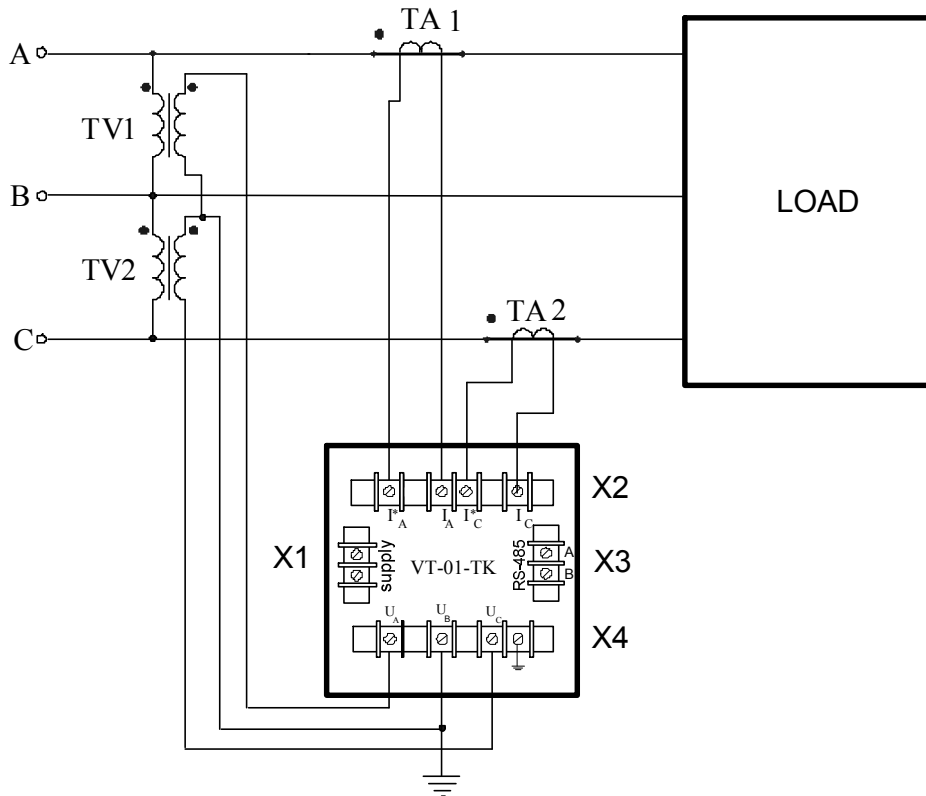
SPECIFICATION

- Nominal input values:
 - voltage, V 100
 - current, A 5
- Measured values limits:
 - voltage, V 120
 - current, A 7,5
- Reduced error for active and reactive power measuring, %, up to..... ±0,5
- Reduced error for current and voltage measuring, up to..... ±0,5
- Memory card size, Gb, up to 2
- Baud rate, kbps..... 9,6; 19,2; 38,4; 57,6; 115,2

Settings and last displaying parameter are saved in non-volatile memory.

WIRING DIAGRAMS





SPECIFICATION

- Operating temperature range +5°C ..+50°C
- Dust and moisture protection..... IP41
- Current measuring lines have galvanic isolation among themselves and from voltage measuring lines. RS-485 is galvanic isolated from all input circuits.
- Power supply according to modification:
 - 220⁺²²₋₃₃ VAC frequency (50±1) Hz;
 - (100±30) VAC frequency (50±1) Hz (can be connected to measuring circuit);
 - (24±4) VDC.
- Power consumption, up to 5
- Overall dimensions (W×H×D), mm 96×96×120
- Mounting dimensions, mm:
 - mounting cut (W×H), mm 90×90
 - mounting depth, mm..... 140

ORDERING DESIGNATION

Digital wattmeter **VT-01-TK-XXX-Y:**

XXX – supply voltage:

“24V” – 24 VDC;

“100V” – 100 VAC, (50±1) Hz;

“220V” – 220 VAC, (50±1) Hz.

Y – modification:

“A” – modification with archive;
no marking – without archive.