



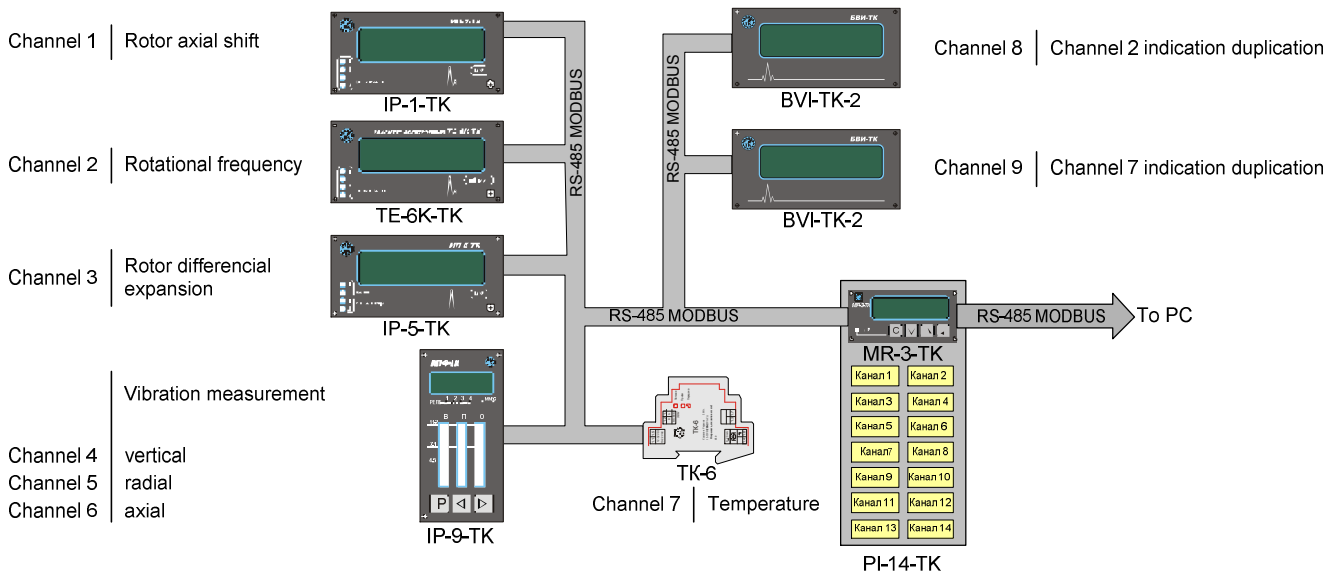
Multichannel logger MR-3-TK is designed for collection, displaying and archiving data received from others devices via RS-485 interface (Modbus RTU or Modbus ASCII protocol).

Logger has additional connector for indication panel with up to 16 buttons (like PI-TK and PR-I-TK).

Remote display units BVI-TK-2 can be connected to channel which are not used in poll to display archived data.

Archives files from memory card can be opened by Microsoft Excel, OpenOffice Calc etc. Transferring and viewing archive on PC without SD-card ejecting can be done with special software (is supplied with device).

- Max channels number - 16.
- Archiving to SD card.
- Archiving period is set programmatically per channel.
- Processing commands from buttons on indication panels PI-TK or PR-1-TK.
- Personal settings for every channel to receive data from device or transfer data to remote indication unit BVI-TK-2.
- LED indication for automatic mode (loop through the channels).
- Nonvolatile real-time clock.
- 5-digits LED indicator with 14mm symbol height
- Three archiving modes:
 - **Static** – data is written periodically over time from settings.
 - **Dynamic** – data is written if difference between current and previous value exceeds threshold value from settings.
 - **Emergency** – data is written if error occurs or on relay operation.

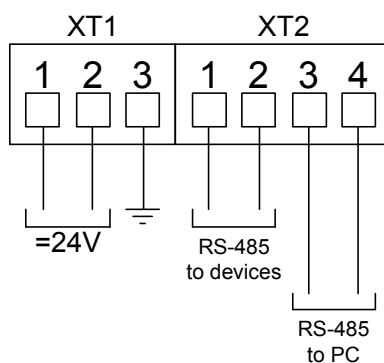


Data collection and archiving system example

SPECIFICATION

- Max channels number 16
- Max buttons number 16
- Memory card type SD, MicroSD
- Max SD-card size, Gb 2
- File system type FAT16
- Archive files type csv
- Baud rate, kbps 9.6; 19.2; 38.4; 57.6; 115.2

WIRING DIAGRAM



ADDITIONAL INFORMATION

- Operating temperature range +5°C ..+50°C
- Dust and moisture protection..... IP41
- Two galvanic isolated RS-485 interfaces:
 - for data collecting from devices (Modbus RTU and Modbus ASCII protocols);
 - for connecting to SCADA (Modbus RTU protocol).
- Scope of supply includes software for setting up device, archive reading and displaying data as tables or charts.
- Power supply (24±4) VDC
- Power consumption, up to, VA 8
- Overall dimensions (W×H×D), mm 95×47×120
- Mounting dimensions:
 - cutout size 91.5×45
 - mounting depth 160